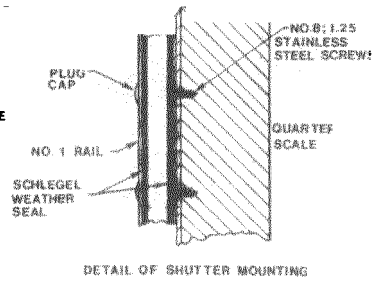
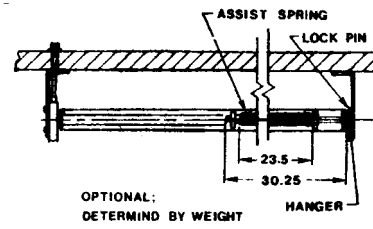
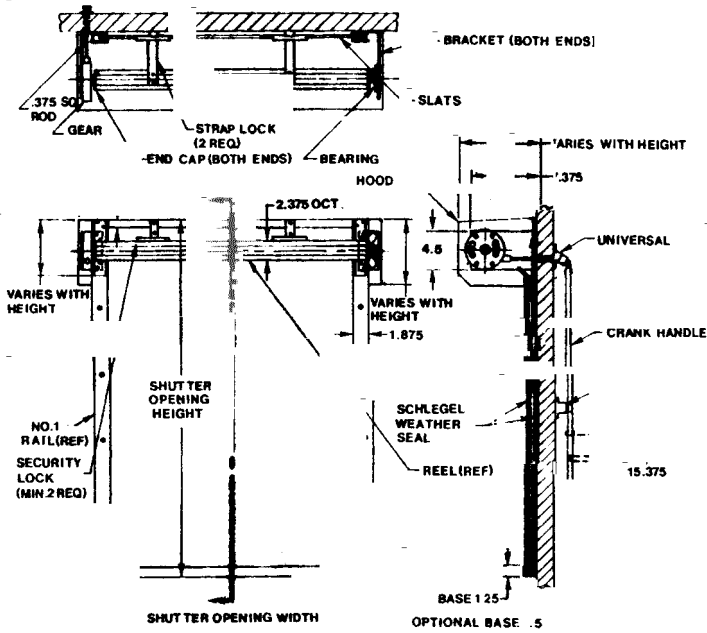
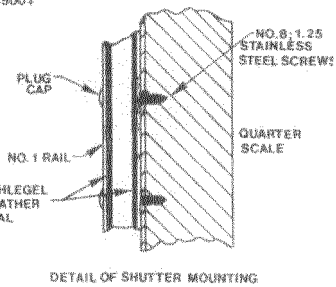
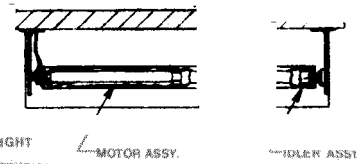
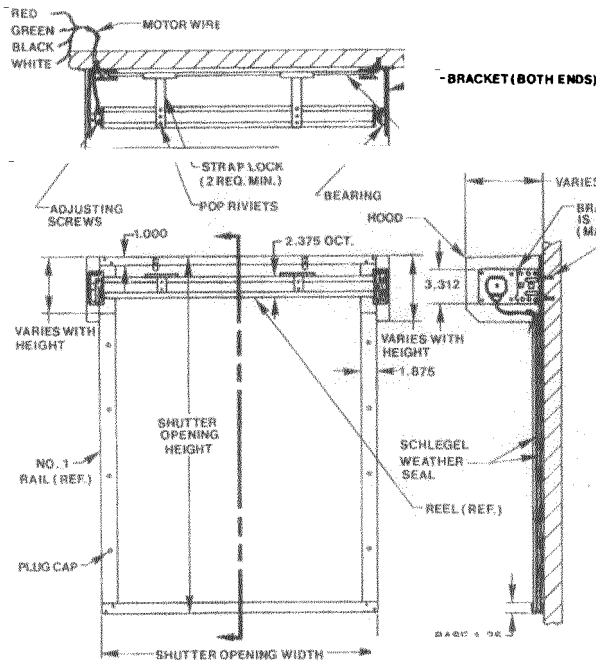


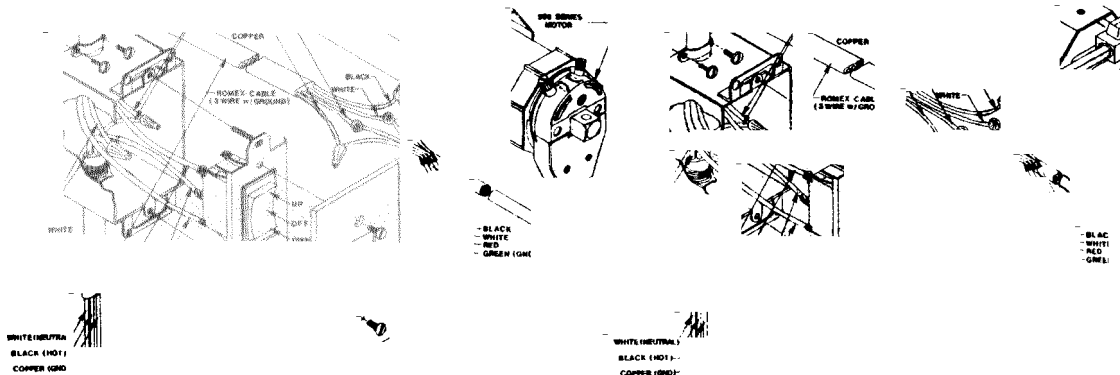
### NO.1 RAIL



### Crank Operation



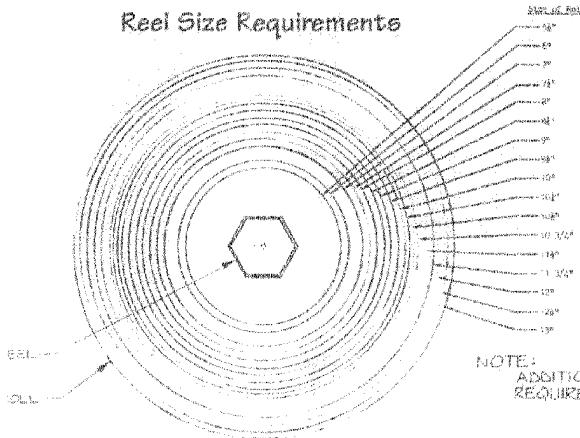
### Motorized Operator



### Wiring Diagram

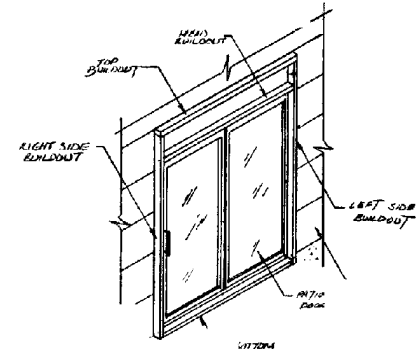
### Manual Override Wiring Diagram

# Reel Size Requirements



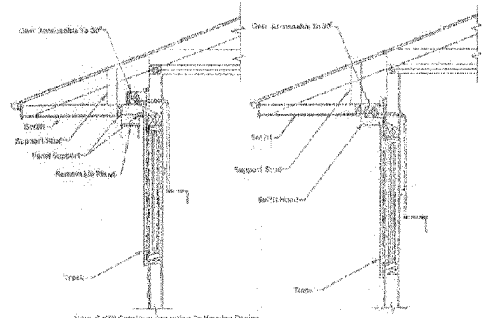
Reel Size	Height of Unit
42 x 42	36"
48 x 48	48"
54 x 54	60"
60 x 60	72"
66 x 66	84"
72 x 72	96"
78 x 78	108"
84 x 84	120"
90 x 90	132"
96 x 96	144"
102 x 102	156"
108 x 108	168"
114 x 114	180"
120 x 120	192"
126 x 126	204"
132 x 132	216"
138 x 138	228"

NOTE: ADDITIONAL 1/2" REQUIRED AROUND EAR SIZE FOR ROLL FOR

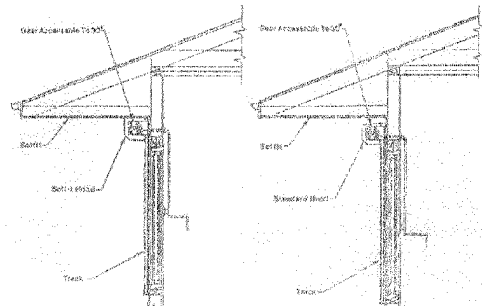


Shutter Buildout

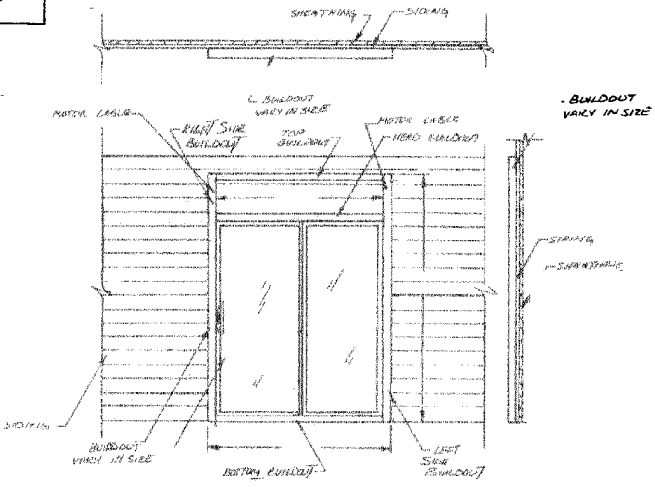
SEE DETAIL A-A



Retrofit (Concealed)



Retrofit (Exposed)



Shutter Buildout Orthographic

## ROLLUP®

SCALE: 1/25"	APPROVED BY: <b>M.R. Braun</b>	DRAWN: B. Glover
DATE: 3-15-1979		REVISED: 2-25-1987
DESCRIPTION: ROLLUP SHUTTER INSTALLATION DESCRIPTION DIAGRAMS		
Crank Operation, Motorized Operation, Wiring Diagram, Manual Override Diagram		
Reel Size Requirement, Retrofit (Concealed), Retrofit (Exposed)		DRAWING NUMBER:
Shutter Buildout, Shutter Buildout Orthographic		624-96