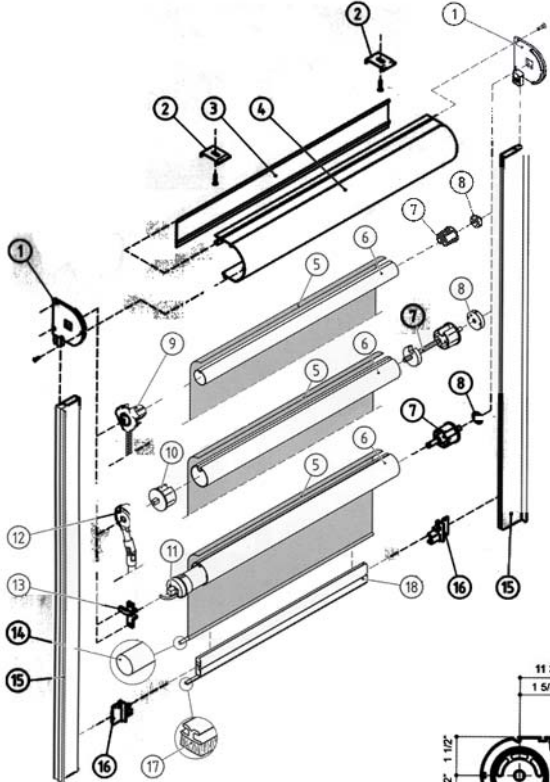
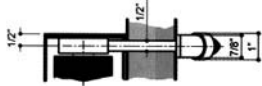
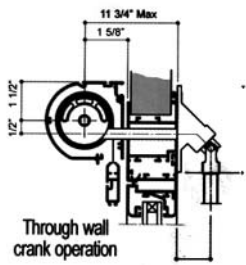


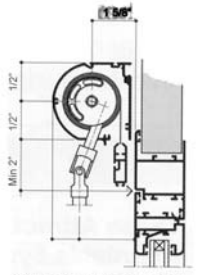
# SL 76



- |   |                     |    |                     |
|---|---------------------|----|---------------------|
| 1 | Hood end cap        | 10 | Square pin end cap  |
| 2 | Ceiling bracket     | 11 | Tubular motor       |
| 3 | Hood removable side | 12 | Gear assembly       |
| 4 | Hood fixed side     | 13 | Motor Bracket       |
| 5 | PVC weld strip      | 14 | PVC tubing          |
| 6 | Roller tube         | 15 | Side track (G49)    |
| 7 | Idler end cap       | 16 | Bottom rail end cap |
| 8 | Idler bracket       | 17 | Brush strip         |
| 9 | Clutch              | 18 | Bottom rail         |



Top View of Through wall crank operation



Standard crank operation

